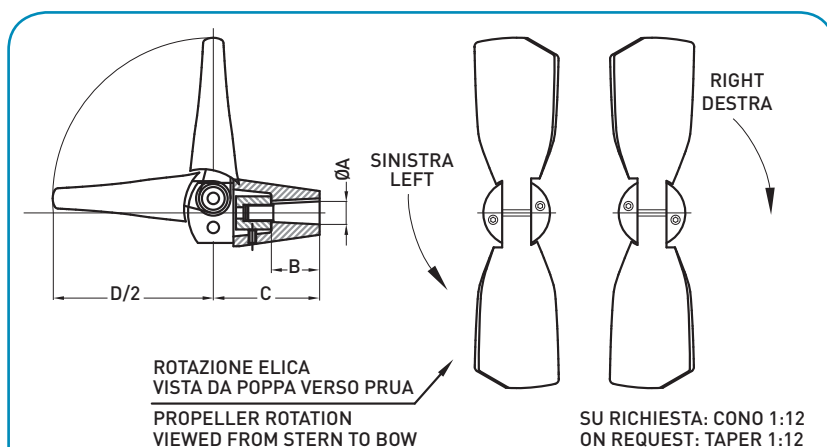


Eliche a pale abbattibili

Folding propellers

Eliche a pale abbattibili per barche a vela: studiate per ridurre il trascinamento durante la navigazione a vela. Disponibili per linea d'asse e per trasmissione sail drive.

Folding propellers for sailboat: designed to reduce propeller drag during sailing. Available with hub for Saildrive or shaft line

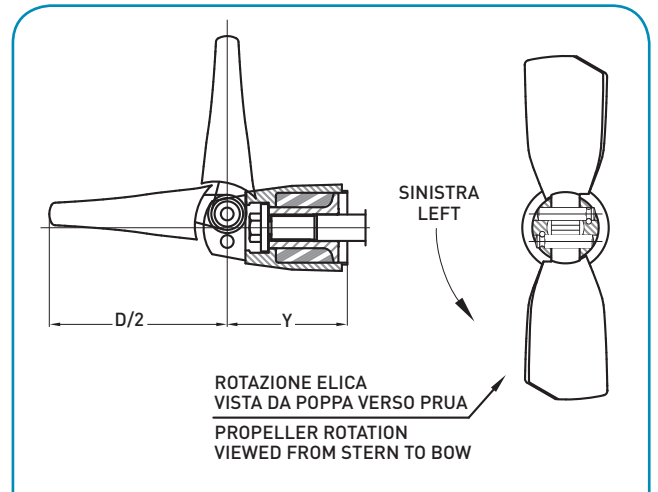


Coppie pale per eliche folding / Blade-set for folding propeller

		PASSO / PITCH									MOZZO HUB	
		7"	8"	9"	10"	11"	12"	13"	14"	15"		
DIAMETRO / DIAMETER	13"	RH	94FB307R	94FB308R	94FB309R	94FB310R	94FB311R	94FB312R				M1
		LH	94FB307L	94FB308L	94FB309L	94FB310L	94FB311L	94FB312L				
	14"	RH	94FB407R	94FB408R	94FB409R	94FB410R	94FB411R	94FB412R				M2 / M3
		LH	94FB407L	94FB408L	94FB409L	94FB410L	94FB411L	94FB412L				
	15"	RH	94FB507R	94FB508R	94FB509R	94FB510R	94FB511R	94FB512R				
		LH	94FB507L	94FB508L	94FB509L	94FB510L	94FB511L	94FB512L				
	16"	RH		94FB608R	94FB609R	94FB610R	94FB611R	94FB612R	94FB613R			
		LH		94FB608L	94FB609L	94FB610L	94FB611L	94FB612L	94FB613L			
	17"	RH			94FB709R	94FB710R	94FB711R	94FB712R	94FB713R			
		LH			94FB709L	94FB710L	94FB711L	94FB712L	94FB713L			
	18"	RH			94FB809R	94FB810R	94FB811R	94FB812R	94FB813R	94FB814R		
		LH			94FB809L	94FB810L	94FB811L	94FB812L	94FB813L	94FB814L		
19"	RH					94FB911R	94FB912R	94FB913R	94FB914R	94FB915R	M4	
	LH					94FB911L	94FB912L	94FB913L	94FB914L	94FB915L		
20"	RH					94FB011R	94FB012R	94FB013R	94FB014R	94FB015R		
	LH					94FB011L	94FB012L	94FB013L	94FB014L	94FB015L		

Kit mozzo cono 1/10 per eliche folding / Hub kit conus 1/10 for folding propeller

CODICE CODE	MOZZO / HUB	DIAMETRO ASSE SHAFT DIAMETER	B	C	FORO / BORE mm
94FM1PIL	M 1	FORO PILOTA	60	92	14
94FM122		22 mm	50	100	-
94FM125		25 mm	60	110,5	-
94FM2PIL	M 2	FORO PILOTA	60	114	14
94FM222		22 mm	50	114	-
94FM225		25 mm	60	114	-
94FM330	M 3	30 mm	80	134	-
94FM435	M 4	35 mm	90	156	-
94FM440		40 mm	100	166	-



Coppie pale per eliche folding sail drive / Blade-set for sail drive folding propeller

		PASSO / PITCH										MOZZO HUB
		7"	8"	9"	10"	11"	12"	13"	14"	15"		
DIAMETRO / DIAMETER	13" LH	94FB307L	94FB308L	94FB309L	94FB310L	94FB311L	94FB312L					M10
	14" LH	94FB407L	94FB408L	94FB409L	94FB410L	94FB411L	94FB412L					
	15" LH	94FB507L	94FB508L	94FB509L	94FB510L	94FB511L	94FB512L					
	16" LH		94FB608L	94FB609L	94FB610L	94FB611L	94FB612L	94FB613L				
	17" LH			94FB709L	94FB710L	94FB711L	94FB712L	94FB713L				
	18" LH			94FB809L	94FB810L	94FB811L	94FB812L	94FB813L	94FB814L			M11
	19" LH					94FB911L	94FB912L	94FB913L	94FB914L	94FB915L		
	20" LH					94FB011L	94FB012L	94FB013L	94FB014L	94FB015L		

Kit mozzo sail drive / Sail drive hub kit

CODICE CODE	SAIL DRIVE	DIAMETRO ELICA PROPELLER DIAMETER	Y
94SDFM10	BUCK-NANNI-VOLVO	14" - 17"	132
94SDFM10Y	YANMAR	14" - 17"	129
94SDFM10LO	LOMBARDINI	14" - 17"	132
94SDFM11	BUCK-NANNI-VOLVO	18" - 20"	135
94SDFM11Y	YANMAR	18" - 20"	132
94SDFM11LO	LOMBARDINI	18" - 20"	135