

Tenute meccaniche PSS & ERCEM™

PSS packless sealing system & ERCEM™

Le tenute frontali senza baderna garantiscono una perfetta tenuta tra le superfici piate di un rotore in acciaio solidale all' asse e un anello stazionario in carbonio che attraverso un manicotto in gomma (o gomma rinforzata) viene fissato al tubo astuccio.

The Packless sealing system is a mechanical face seal that is created between two parallel surfaces of the steel rotor and of the carbon stator.

The carbon stator is attached to a rubber (or reinforced rubber) bellow.



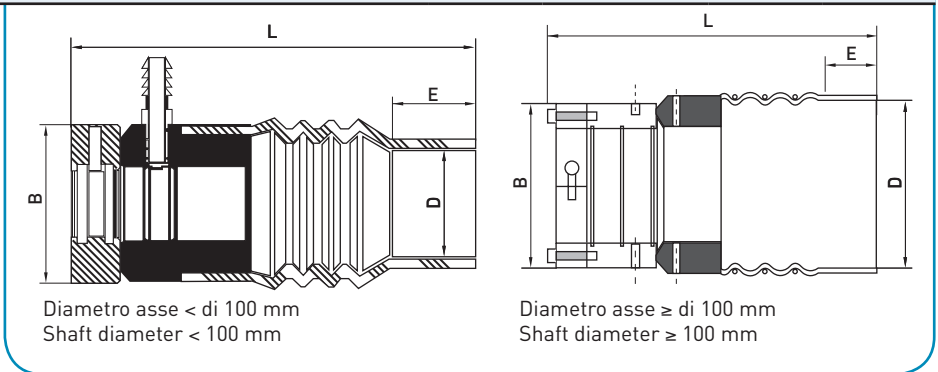
Tenuta ERCEM™ / ERCEM™ sealing system

CODICE CODE	DIAMETRO ASSE mm SHAFT DIAMETER mm	DIAMETRO ASTUCCIO mm TUBE DIAMETER mm	L mm	COMPRESSIONE mm COMPRESSION mm
ER_GV 25 41/46	25	41 / 46	153	14
ER_GV 25 53/62		53 / 62	153	14
ER_GV 1 41/46	25,4	41 / 46	153	14
ER_GV 1 53/62		53 / 62	160	10
ER_GV 30 41/46	30	41 / 46	158	14
ER_GV 30 53/62		53 / 62	165	10
ER_GV 30 64/70		64/70	165	10
ER_GV 114 41/46	31,75	41 / 46	158	14
ER_GV 114 53/62		53 / 62	165	10
ER_GV 35 53/62	35	53 / 62	165	10
ER_GV 35 64/70		64 / 70	163	10
ER_GV 35 75/84		75 / 84	173	14
ER_GV 112 53/62	38,1	53 / 62	165	10
ER_GV 112 64/70		64 / 70	163	10
ER_GV 112 75/84		75 / 84	173	14
ER_GV 40 53/62	40	53 / 62	167	10
ER_GV 40 64/70		64 / 70	165	10
ER_GV 40 75/84		75 / 84	175	14
ER_GV 134 53/62	44,45	64 / 70	167	10
ER_GV 134 64/70		75 / 84	177	14
ER_GV 45 64/70	45	64 / 70	167	10
ER_GV 45 75/84		75 / 84	177	14
ER_GV 50 75/84	50	75 / 84	179	14
ER_GV 50 88/93		88 / 93	189	14
ER_GV 50 94/100		94 / 100	189	14
ER_GV 2 75/84	50,8	75 / 84	179	14
ER_GV 2 88/93		88 / 93	189	14
ER_GV 2 94/100		94 / 100	189	14
ER_GV 55 75/84	55	75 / 84	196	14
ER_GV 55 88/93		88 / 93	206	14
ER_GV 55 94/100		94 / 100	206	14
ER_GV 214 75/84	57,15	75 / 84	196	14
ER_GV 214 88/93		88 / 93	206	14
ER_GV 214 94/100		94 / 100	206	14
ER_GV 60 88/93	60	88 / 93	206	14
ER_GV 60 94/100		94 / 100	206	14
ER_GV 60 104/114		104 / 114	256	25
ER_GV 212 88/93	63,5	88 / 93	206	14
ER_GV 212 94/100		94 / 100	206	14
ER_GV 212 104/114		104 / 114	256	25



Tenuta PSS / Packless sealing system

CODICE CODE	DIAMETRO ASSE SHAFT DIAMETER mm	D STANDARD inches	L mm	L COMPRESSA L COMPRESSED mm	E mm	B mm
PSS02-025	25	1 1/4" - 1 1/2" - 1 3/4" - 2" - 2 1/4"	178	159	38,1	61
PSS02-030	30	1 1/4" - 1 1/2" - 1 3/4" - 2" - 2 1/4"	178	159	38,1	61
PSS02-035	35	1 3/4" - 2" - 2 1/4" - 2 1/2"	188	162	38,1	73
PSS02-040	40	2" - 2 1/4" - 2 1/2" - 2 3/4" - 3" - 3 1/4" - 3 1/2"	233	197	50,8	96
PSS02-045	45	2" - 2 1/4" - 2 1/2" - 2 3/4" - 3" - 3 1/4" - 3 1/2"	233	197	50,8	96
PSS02-050	50	2" - 2 1/4" - 2 1/2" - 2 3/4" - 3" - 3 1/4" - 3 1/2"	233	197	50,8	96
PSS02-055	55	2" - 2 1/4" - 2 1/2" - 2 3/4" - 3" - 3 1/4" - 3 1/2"	233	197	50,8	96
PSS02-060	60	3 1/4" - 3 1/2" - 3 3/4" - 4"	245	213	63,5	107
PSS02-070	70	4 - 4 1/4" - 4 1/2" - 4 3/4" - 5"	265	233	63,5	127
PSS02-080	80	4 - 4 1/4" - 4 1/2" - 4 3/4" - 5"	265	233	63,5	127
PSS02-090	90	4 1/2" - 4 3/4" - 5" - 5 1/4" - 5 1/2" - 5 3/4" - 6"	280	248	63,5	153
PSS02-100	100	5 1/2" - 5 3/4" - 6" - 6 1/4" - 6 1/2" - 6 3/4" - 7"	375	348	63,5	178



Tubo astucco epoxy / Epoxy pipes

CODICE CODE	DIAMETRO INTERNO mm INSIDE DIAMETER mm	DIAMETRO ESTERNO mm OUTSIDE DIAMETER mm	LUNGHEZZA mm LENGHT mm
90TOVTR25	34	40	1200
90TOVTR30	39	45	1200
90TOVTR35	43	50	1200
90TOVTR40	47	55	1200
90TOVTR45	52	60	1200
90TOVTR50	57	65	1200