

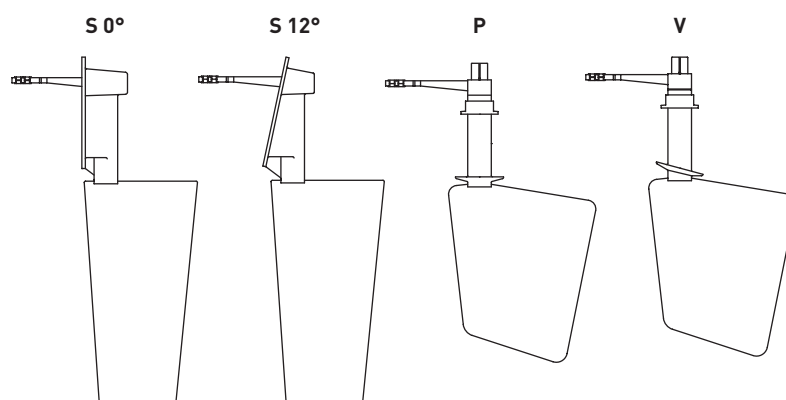
Timoni Rudders

I timoni standard sono disponibili in una vasta e completa gamma particolarmente adatta sia per scafi con carena a V che piana, il montaggio può essere eseguito sia sottoscafo che sullo specchio di poppa.
Per i disegni specifici prego contattarci.

Standard Rudders are available in a wide range and designed to suit each vessels requirements. For boats with v-shaped or flat keels, the mounting can be carried out externally under the vessel on the transom.
For specific drawings please contact us.



VERSIONE / TYPE



Timoni / Rudders

CODICE CODE	TIPO TYPE	DIAMETRO ASTA mm RUDDER STOCK mm	SUPERFICIE SURFACE dm ²	PESO Kg WEIGHT Kg
9612/6 P / V	12 / 6 P-V	30	5,77	10
9614/10 P / V	14 / 10 P-V	40	10,5	14
9614/10 S0 / S12	14 / 10 S0-S12	40	10,5	15
9616/7 P / V	16 / 7 P-V	40	7,17	12
9616/7 S0 / S12	16 / 7 S0-S12	40	7,17	12
9616/11 P / V	16 / 11 P-V	40	10,77	15,5
9616/11 S0 / S12	16 / 11 S0-S12	40	11,09	18
9616/13 P / V	16 / 13 P-V	40	12,8	17
9616/13 S0 / S12	16 / 13 S0-S12	40	13,1	19,5
9617/15 P / V	17 / 15 P-V	40	15	23
9617/15 S0 / S12	17 / 15 S0-S12	40	15	27
9625/11 P / V	25 / 11 P-V	40	10,77	16,5
9645/16 P / V	45 / 16 P-V	60	16,26	48
9645/19 P / V	45 / 19 P-V	60	18,21	51
9645/20 P / V	45 / 20 P-V	60	19,73	54
9643/20 P / V	43 / 20 P-V	60	20,03	45
9643/20 S0 / S15	43 / 20 S0-S15	60	20,03	46
9678/24 P / V	78 / 24 P-V	60	24,2	62
9636/30 P / V	36 / 30 P-V	70	30	110
9638/35 P / V	38 / 35 P-V	80	34,9	150
9638/40 P / V	38 / 40 P-V	80	41,53	160
9638/40 S0	38 / 40 S0	80	41,53	160
9638/50 P / V	38 / 50 P-V	80	50,68	170
9638/50 S0	38 / 50 S0	80	50,68	170