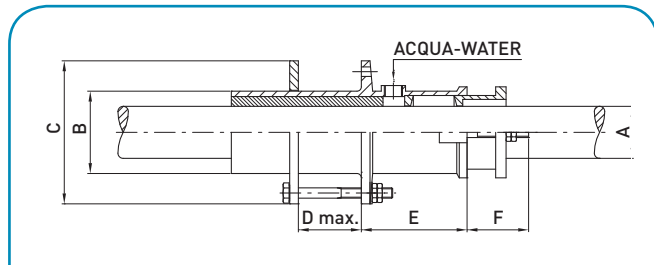


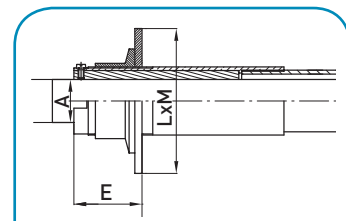
Testa prondiera semirigida / Semirigid head

CODICE CODE	A mm	B mm	C mm	D mm	E mm	F mm
90TSEM025	25	52	100	49	134	45
90TSEM030	30					
90TSEM035	35	62	120	63	150	75
90TSEM040	40					
90TSEM045	45	74,5	140	77	176	75
90TSEM050	50					



Testa prondiera rigida / Rigid head

CODICE CODE	A mm	B mm	C mm	D mm	E mm	F mm
90BSLTPR0025	25	48	90	25	66	45
90BSLTPR0030	30	54	100	40	79	55
90BSLTPR0035	35	61	110	40	89	55
90BSLTPR0040	40	67	120	50	99	70
90BSLTPR0045	45	74	130	55	107	70
90BSLTPR0050	50	80	140	115	112	70
90BSLTPR0060	60	95	165	140	122	70



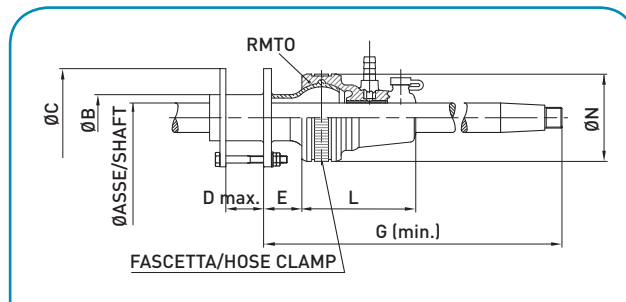
Testa poppiera rigida / Rigid stern head

CODICE CODE	DIAMETRO ASSE mm DIAMETER mm	E mm	L mm	M mm	FILETTO THREAD
90BSLTPOP025	25	60	135	75	39 x 1,5
90BSLTPOP030	30	70	150	85	45 x 1,5
90BSLTPOP035	35	80	175	95	48 x 1,5
90BSLTPOP040	40	90	190	105	54 x 1,5
90BSLTPOP045	45	95	205	115	61 x 2
90BSLTPOP050	50	95	180	125	67 x 2
90BSLTPOP060	60	95	165	140	86 x 2



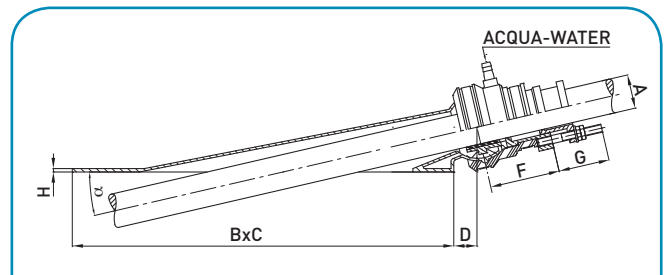
Manicotto in gomma per teste semirigide / Rubber sleeve for semirigid heads

CODICE CODE	DIAMETRO INTERNO MINIMO mm MINIMUM INTERNAL DIAMETER mm	DIAMETRO INTERNO MASSIMO mm MAXIMUM INTERNAL DIAMETER mm	LUNGHEZZA mm LENGTH mm
90MAGO25/30	45	58	79
90MAGO35/40	62	78	87
90MAGO45/50	70	85	105



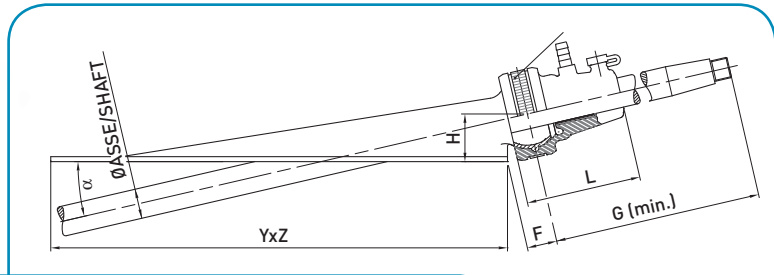
Testa semirigida RMTO / Semirigid head with RMTO revolving axial seal

CODICE CODE	DIAMETRO ASSE mm SHAFT DIAMETER mm	B mm	C mm	D mm	E mm	G MIN mm	L mm	N mm
90TSEM25MTO	25	52	100	49	134	400	111	89
90TSEM30MTO	30						116	
90TSEM35MTO	35	62	120	63	150	500	122	112
90TSEM40MTO	40						126	



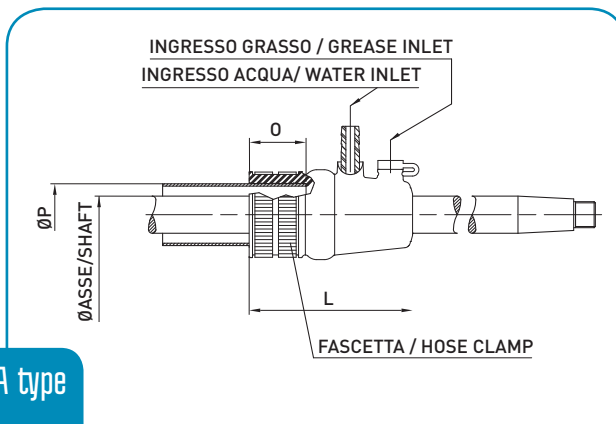
Premitreccia semirigida orientabile P.S.O. / Semi-rigid stuffing box P.S.O. Revolving type

CODICE CODE	A mm	α	B mm	C mm	D mm	F mm	G mm	H mm
90PPS025	25	9°- 17°	460	90	20	77	45	5
90PPS030	30	9°- 17°	460	90	20	77	45	5
90PPS035	35	11°- 17°	500	110	27	86	75	5
90PPS040	40	11°- 17°	500	110	27	86	75	5
90PPS045	45	11°- 15°	555	130	35	103	75	5
90PPS050	50	11°- 15°	555	130	35	103	75	5
90PPS055	55	10°- 15°	730	190	57	230	70	8
90PPS060	60	10°- 15°	730	190	57	230	70	8



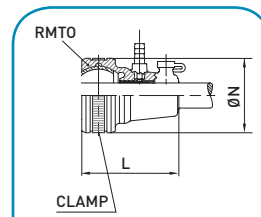
Passascafo base con tenuta RMTO / Semirigid box with RMTO revolving axial seal

CODICE CODE	DIAMETRO ASSE mm SHAFT DIAMETER mm	α	F mm	G MIN mm	L mm	H mm	Y X Z mm
90PPS025MTO	25	9° - 17°	25	400	111	48	460 X 90
90PPS030MTO	30				116		
90PPS035MTO	35	11° - 17°	30	500	122	60	500 X 110
90PPS040MTO	40				126		



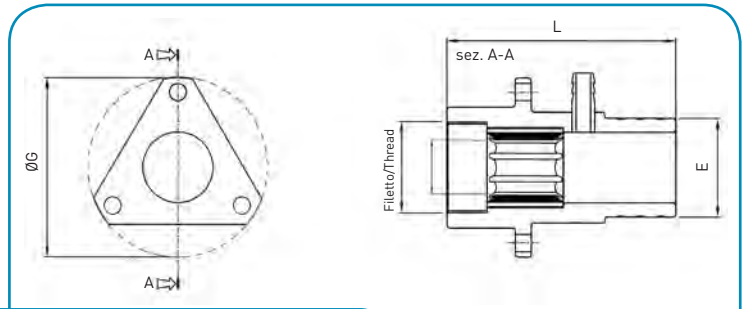
Tenuta assiale RMTA / Axial seal RMTA type

CODICE CODE	DIAMETRO ASSE mm SHAFT DIAMETER mm	P OTTONE mm	P RESINA mm	L mm	0 mm
90TR0220	22	39		111	38
90TR0250	25	39		111	38
90TR025R	25		42		
90TR0300	30	45		116	38
90TR030R	30		48		
90TR0350	35	48		123	38
90TR035R	35		54		
90TR0400	40	54		129	38
90TR040R	40		60		



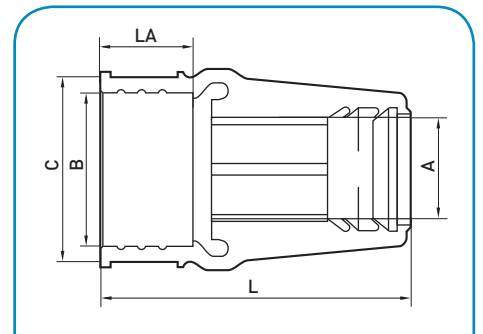
Tenuta assiale RMTO / Axial seal RMTO type

CODICE CODE	DIAMETRO ASSE mm SHAFT DIAMETER mm	L mm	N mm
90TMRM025	25	116	89
90TMRM030	30	116	89
90TMRM035	35	134	110
90TMRM040	40	134	110



Porta tenuta meccanica per stuffy box / Mechanical seal (stuffy box) adapter head

CODICE CODE	DIAMETRO ASSE SHAFT DIAMETER mm	E mm	L mm	G mm	FILETTO THREAD
90TPROSB025	25	43	107	89	39 x 1,5
90TPROSB030	30	49	114	89	45 x 1,5
90TPROSB035	35	55	131	109	48 x 1,5
90TPROSB040	40	60	138	109	54 x 1,5
90TPROSB045	45	65	161	119	61 x 2
90TPROSB060	50	70	167	119	67 x 2



Tenuta tipo stuffybox / Stuffybox propeller shaft sealing kit

CODICE CODE	A mm	B mm	B mm EVO	L mm	LA mm
MISURE IN MILLIMETRI / MILLIMETER SHAFT					
90TM025/025 EVO	25	42	42	105	36
90TM030/030 EVO	30	48	48	111	36
90TM035/035 EVO	35	54	54	119	36
90TM040/040 EVO	40	60	60	119	38
90TM045/045 EVO	45	64	64	119	38
90TM050/050 EVO	50	70	70	120	38
MISURE IN MILLIMETRI / MILLIMETER SHAFT					
90TM1/1 EVO	25,4	43	43	102	36
90TM114/114 EVO	31,75	49	52	119	36
90TM112/112 EVO	38,1	60	58	119	36
90TM134/134 EVO	44,45	64	64	119	36
90TM2/2 EVO	50,8	70	70	129	38